

Equal Angles

6060



Width x Height x Wall Thickness mm			Length M	Weight kg/m	Product No.
19.00	19.00	3.00	5	0.29	0001276
25.00	25.00	1.50	5	0.20	0001278
25.00	25.00	3.00	5	0.38	0001279
25.00	25.00	4.50	5	0.55	0001280
30.00	30.00	3.00	5	0.46	0001282
40.00	40.00	3.00	5	0.63	0001287
40.00	40.00	4.50	5	0.92	0001288
40.00	40.00	6.00	5	1.20	0001289
50.00	50.00	3.00	5	0.79	0001291
50.00	50.00	4.50	5	1.17	0001293
50.00	50.00	6.00	5	1.53	0001294
75.00	75.00	4.50	5	1.76	0001296
75.00	75.00	6.00	5	2.33	0001297
100.00	100.00	6.00	5	3.14	0001299
100.00	100.00	10.00	5	5.13	0001301

Unequal Angles

6060



Width x Height x Wall Thickness mm			Length M	Weight kg/m	Product No.
50.00	25.00	3.00	5	0.58	0001312
75.00	40.00	4.50	5	1.46	0001316
75.00	50.00	6.00	5	1.93	0001317
100.00	50.00	6.00	5	2.33	0001319
150.00	75.00	6.00	5	3.55	0001321
150.00	75.00	10.00	5	5.85	0001322

Top Hat Section

6261 T6

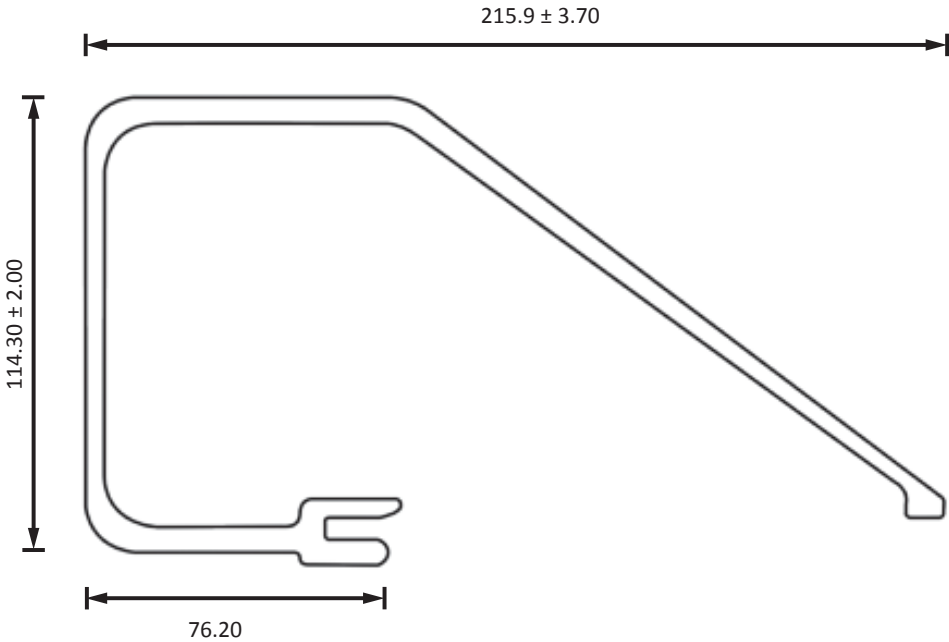
Overall Width x Top Width x Height mm			Length M	Weight kg/m	Product No.
55.0	28.0	24.0	6	0.71	0001361

Heavy Transport Sections

Coaming Rail

6005A T5

Width x Height mm		Length M	Weight kg/m	Product No.
114.3	215.9	5.4	6.90	0001374
114.3	215.9	7.2	6.90	0001373
114.3	215.9	7.3	6.90	0012797

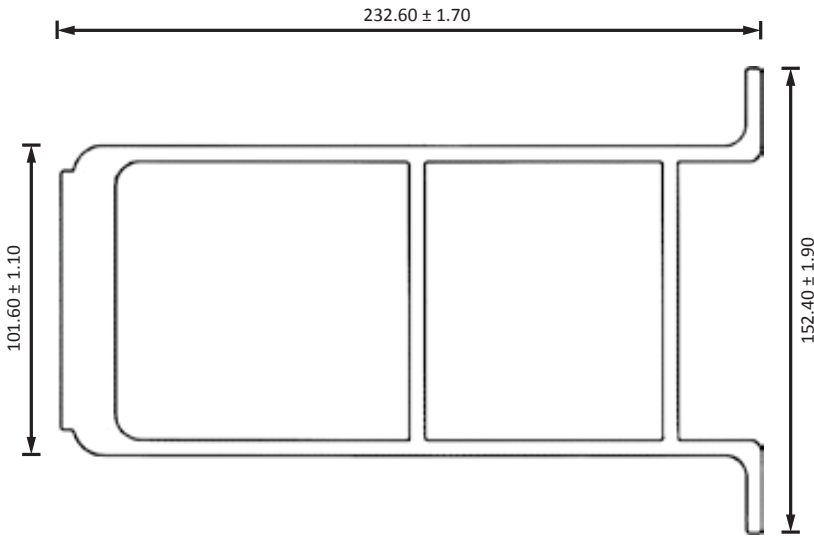


Heavy Transport Sections

Tipper Sub Frame

6005A T5

Height mm	Length M	Weight kg/m	Product No.
232.6	5.4	13.92	0001367
232.6	7.2	13.92	0001366



Electrical Sections

Din Rail

Width x Height mm	Length M	Weight kg/m	Product No.
35.2 x 13.0	5	0.38	0001380

